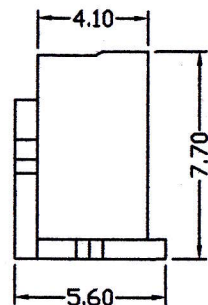
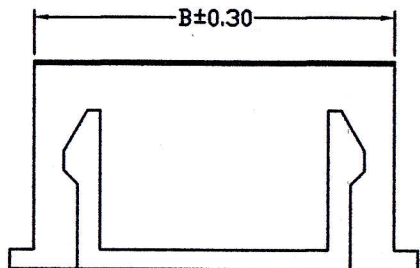
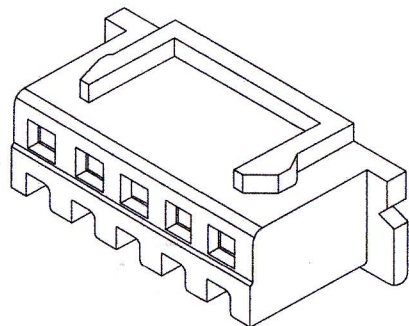
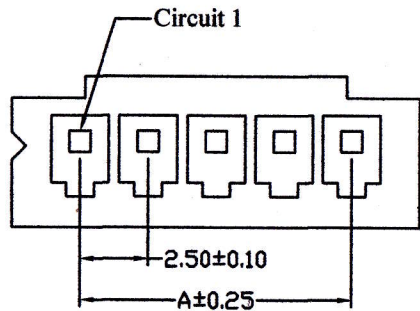


环保物料



■ Specifications(规格) :

- Voltage rating(额定电压): 250V AC / DC
- Current rating(额定电流): 3A AC / DC
- Withstanding voltage(耐压值): 1000V AC/minute
- Temperature range(工作温度): -25°C~+85°C
- Insulation resistance(绝缘电阻): ≥1000MΩ
- Contact resistance(接触电阻): ≤10mΩ
- After environmental testing(环境测试后): ≤20mΩ

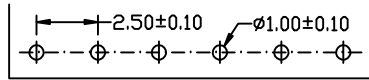
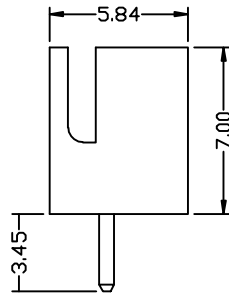
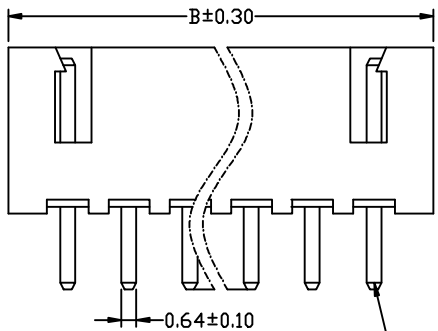
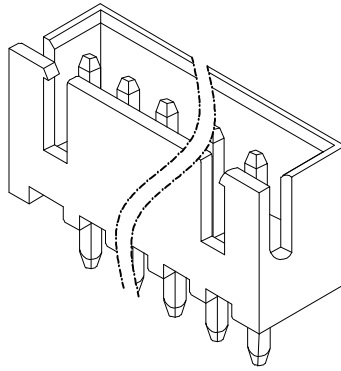
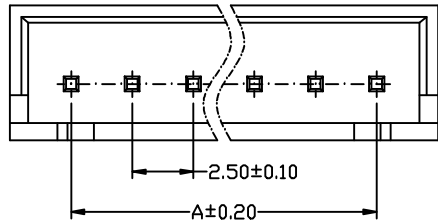
■ Housing(胶壳)

- Part No. (料号) : J2505H-XXP
- Poles (PIN数) : 02-20
- Material (材质) : Nylon 66 (尼龙66) UL 94V-0
- Suitable HHB J2505T Series Terminal(匹配J2505T系列端子)
- Mates With HHB J2505W、J2505WR、J2505WSR Series Wafer Or J2505MH Series Housing (匹配 J2505W、J2505WR、J2505WSR系列针座或J2505MH系列胶壳)
- Q' ty (数量) : 1,000Pcs/Bag/每袋 (1,000Pcs)

Poles	Part No	Dimensions (mm)	
		A	B
2	J2505H-02P	2.50	5.70
3	J2505H-03P	5.00	8.20
4	J2505H-04P	7.50	10.70
5	J2505H-05P	10.00	13.20
6	J2505H-06P	12.50	15.70
7	J2505H-07P	15.00	18.20
8	J2505H-08P	17.50	20.70
9	J2505H-09P	20.00	23.20
10	J2505H-10P	22.50	25.70
11	J2505H-11P	25.00	28.20
12	J2505H-12P	27.50	30.70
13	J2505H-13P	30.00	33.20
14	J2505H-14P	32.50	35.70
15	J2505H-15P	35.00	38.20
16	J2505H-16P	37.50	40.70
17	J2505H-17P	40.00	43.20
18	J2505H-18P	42.50	45.70
19	J2505H-19P	45.00	48.20
20	J2505H-20P	47.50	50.70

						一般公差 GENERAL TOLERANCE	东莞市翰皓精密电子有限公司 Dongguan Han Hao Precision Electronics Co.,Ltd				料号 PART NO J2505H-XXP							
						.X ±0.3	核准 APPD 审核 CHK 绘图 DR 日期 DATA				品名 TITLE 2.5 mm Crimp Style connectors							
						.XX ±0.2					SUCCESS 刘艳 2007/05/03				单位 UNIT 比例 SCALE 图号 NUMBER 版次 REV			
						.XXX ±0.1									MM 1/1 A-003 B			
2011/05/14	A	B	修改图框格式			角法 PROJECT												
日期 DATE	旧版次 OLD REV	新版次 NEW REV	变更内容 DESCRIPTION			审核 CHK	核准 APPD											

环保物料



Recommend PCB Layout

■ Specifications(规格) :

- Voltage rating(额定电压) : 250V AC / DC
- Current rating(额定电流) : 3A AC / DC
- Withstanding voltage(耐压值) : 1000V AC/minute
- Temperature range(工作温度) : -25°C~+85°C
- Insulation resistance(绝缘电阻) : ≥1000MΩ
- Contact resistance(接触电阻) : ≤10mΩ
- After environmental testing(环境测试后) : ≤20mΩ

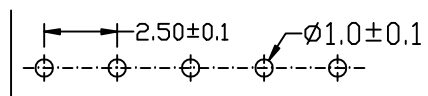
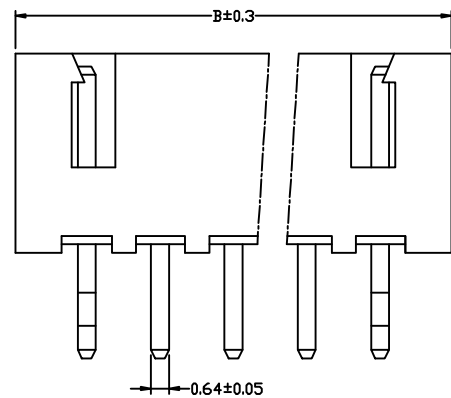
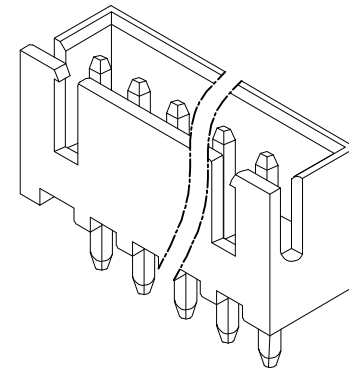
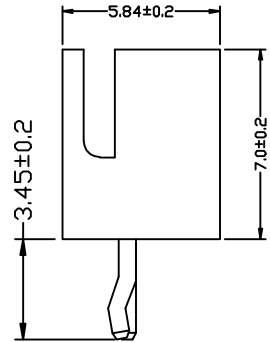
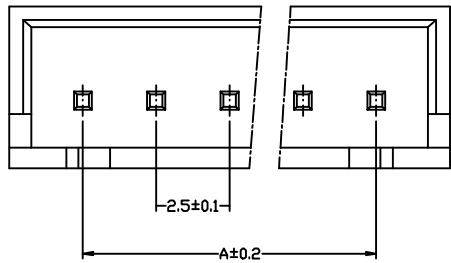
■ Wafer(针座)

- Part No. (料号) : J2505W-XXP
- Poles(PIN数) : 02-20
- Material (材质) : Housing(胶壳) : Nylon 66 (尼龙66) UL 94V-0  
Pin针:Brass (黄铜)  
Finish (电镀) :Tin-Plated or Glod flash (镀锡或镀金)
- Mates With HHB J52505H Series Housing(匹配 J2505H-XXP系列胶壳)
- Q'ty (数量) : 1,000Pcs/Bag/每袋 (1,000Pcs)

Poles	Part No	Dimensions (mm)	
		A	B
2	J2505W-02P	2.50	7.50
3	J2505W-03P	5.00	10.00
4	J2505W-04P	7.50	12.50
5	J2505W-05P	10.00	15.00
6	J2505W-06P	12.50	17.50
7	J2505W-07P	15.00	20.00
8	J2505W-08P	17.50	22.50
9	J2505W-09P	20.00	25.00
10	J2505W-10P	22.50	27.50
11	J2505W-11P	25.00	30.00
12	J2505W-12P	27.50	32.50
13	J2505W-13P	30.00	35.00
14	J2505W-14P	32.50	37.50
15	J2505W-15P	35.00	40.00
16	J2505W-16P	37.50	42.50
17	J2505W-17P	40.00	45.00
18	J2505W-18P	42.50	47.50
19	J2505W-19P	45.00	50.00
20	J2505W-20P	47.50	52.50

					一般公差 GENERAL TOLERANCE	东莞市翰皓精密电子有限公司 Dongguan Han Hao Precision Electronics Co.,Ltd				料号 PART NO J2505W-XXP			
					.X ±0.3 .XX ±0.2 .XXX ±0.1	核准 APPD 审核 CHK 绘图 DR 日期 DATA				品名 TITLE 2.5 mm Crimp Style connectors			
2011/05/14	A	B	修改图框格式			SUCCESS 刘艳 2007/05/03				单位 UNIT MM	比例 SCALE 1/1	图号 NUMBER A-105	版次 REV B
日期 DATE	旧版次 OLD REV	新版次 NEW REV	变更内容 DESCRIPTION		审核 CHK	核准 APPD	角注 PROJECT ⊕ ⊞						

环保物料



Recommand PCB Layout

Poles	Part No	Dimensions (mm)	
		A	B
2	J2505WK-02	2.50	7.50
3	J2505WK-03	5.00	10.00
4	J2505WK-04	7.50	12.50
5	J2505WK-05	10.00	15.00
6	J2505WK-06	12.50	17.50
7	J2505WK-07	15.00	20.00
8	J2505WK-08	17.50	22.50
9	J2505WK-09	20.00	25.00
10	J2505WK-10	22.50	27.50
11	J2505WK-11	25.00	30.00
12	J2505WK-12	27.50	32.50
13	J2505WK-13	30.00	35.00
14	J2505WK-14	32.50	37.50
15	J2505WK-15	35.00	40.00
16	J2505WK-16	37.50	42.50
17	J2505WK-17	40.00	45.00
18	J2505WK-18	42.50	47.50
19	J2505WK-19	45.00	50.00
20	J2505WK-20	47.50	52.50

Specifications

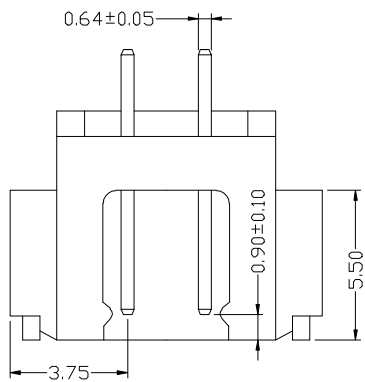
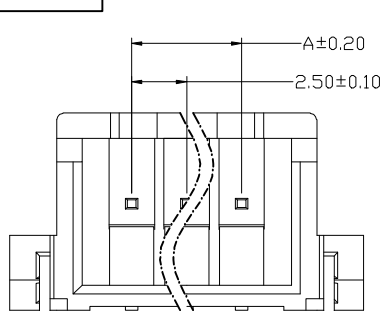
- Voltage Rating: 250V AC, DC
- Current Rating: 3A AC / DC
- Withstanding Voltage: 1000V AC/minute
- Insulation Resistance: 1000MΩ Min.
- Temperature Range: -25°C~+85°C
- Contact Resistance: Intial value/10MΩ Max.
- After Enviromental Testing/20MΩ Max.

Wafer

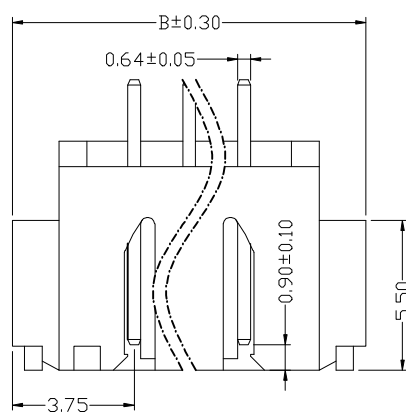
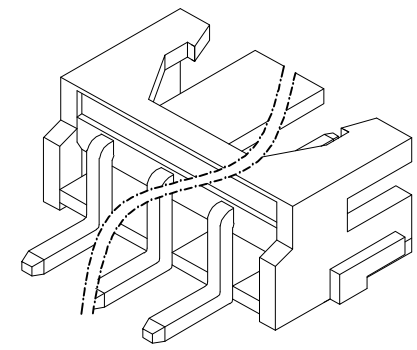
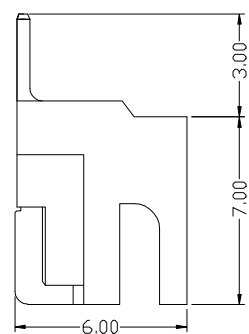
- Part No.: J2505WK-XXP
- Poles: 02-20
- Material: Nylon 66 UL 94V-0
- Mates With HHB J2505H Series Housing
- Q'ty: 1,000 Pcs/Bag

					<p>一般公差 GENERAL TOLERANCE</p> <p>.X ±0.3</p> <p>.XX ±0.2</p> <p>.XXX ±0.1</p>				<p>东莞市翰皓精密电子有限公司 Dongguan HanHao Precision Electronics Co.,Ltd</p>				<p>料号 PART NO J2505WK-XXP</p>			
									<p>品名 TITLE 2.5 mm Crimp Style connectors</p>							
2011/05/14	A	B	修改图框格式						核准 APPD	审核 CHK	绘图 DR	日期 DATA				
日期 DATE	旧版次 OLD REV	新版次 NEW REV	变更内容 DESCRIPTION		审核 CHK	核准 APPD	角注 PROJECT		DONG	SUCCESS	刘艳	2007/05/03	单位 UNIT MM	比例 SCALE 1/1	图号 NUMBER A-057	版次 REV B

环保物料



2PIN



3PIN~16PIN

■ Specifications

- Voltage Rating: 250V AC/DC
- Current Rating: 3A AC/DC
- Withstanding Voltage: 1000V AC/minute.
- Insulation Resistance: 1000MΩ Min.
- Temperature Range: -25°C~+85°C
- Contact Resistance: Intial value/10mΩ Max.
- After Enviornmental Testing/20mΩ Max.

■ Wafer

- Part No.: J2505WRS-XX
- Poles: 02~16
- Material: Pin: Brass/Tin-plated  
Wafer: Nylon 9T UL94V-0
- Mates With HHB J2505H Series Housing
- Q'ty: 500 Pcs/Reel

Part No.	Dimensions (mm)		Q'ty/Reel
	A	B	
02	2.50	10.00	500Pcs
03	5.00	12.50	500Pcs
04	7.50	15.00	500Pcs
06	12.50	20.00	500Pcs

					<p>一般公差 GENERAL TOLERANCE</p> <p>.X ±0.3</p> <p>.XX ±0.2</p> <p>.XXX ±0.1</p>				<p>东莞市翰皓精密电子有限公司 Dongguan HanHao Precision Electronics Co.,Ltd</p>				<p>料号 PART NO J2505WRS-XX</p>			
									<p>品名 TITLE 2.5 mm Crimp Style connectors</p>							
2011/05/14	A	B	修改图框格式				核准 APPD	审核 CHK	绘图 DR	日期 DATA						
日期 DATE	旧版次 OLD REV	新版次 NEW REV	变更内容 DESCRIPTION		审核 CHK	核准 APPD	角注 PROJECT	角注 PROJECT	角注 PROJECT	角注 PROJECT	单位 UNIT	比例 SCALE	图号 NUMBER	版次 REV		
							⊕	⊕	⊕	⊕	MM	4/1	A-057	B		